



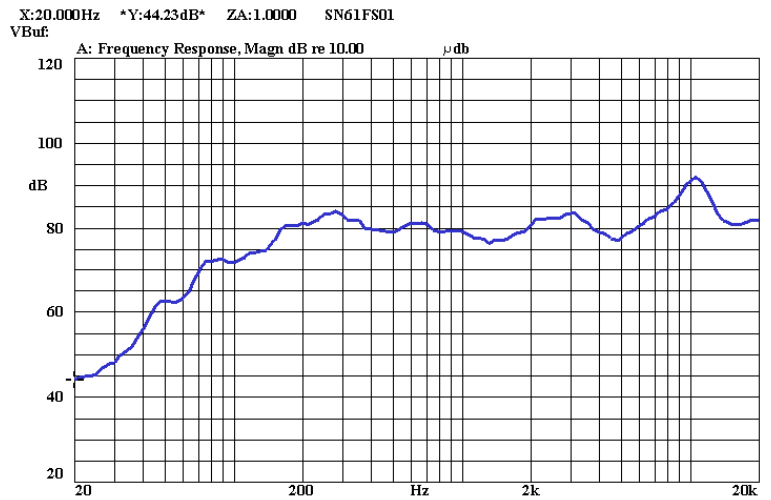
- \*61mm square frame structure.
- \*Output power 10 watt full range.
- \*Excellent performing sound excursion.
- \*Useful for versatile miniature audio systems.

## 61mm Mini Loudspeaker

## SN61FS01



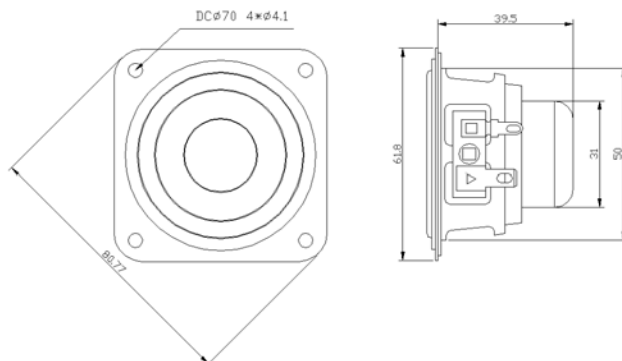
Nominal Diameter	61	mm
Nominal Impedance	4	ohms
Sensitivity(1W/1m)	80.5	dB
Power Capacity(RMS)	10	W
Power Capacity(Peak)	20	W
Frequency Range(-10dB)	See curve	Hz
Voice Coil Diameter	20	mm
Voice Coil Number of layer	2	
Voice Coil Former Material	KAPTON	
Voice Coil Wire Composition	PESVW	
Magnetic Material	ND	
Cone Material	KRAFT PULP	
Surround Material	Rubber	
Net Weight	104	g



Mode: SSR



Resonant Frequency(Fo)	130	Hz
Voice Coil DC Resistance(Re)	3.2	ohms
Voice Coil Inductance(Le)	0.25	mH
Total Q(Qts)	0.85	
Mechanical Q(Qms)	2.81	
Electrical Q(Qes)	1.22	
Equivalent Volume of Air(Vas)	0.09	Liters
Radiating Piston Area(Sd)	16	Cm <sup>2</sup>
Xmax	1.5	mm
Flux Density x Length(BL)	3.58	Tesla-m
Compliance(Cms)	240	um/N
Total Mass(Mms)	5.97	g
Closed Box Volume	0.18	Liters
Bass Reflex Box Volume	0.2	Liters
Port Dia/Length	7/37	mm



S4 DESIGN GROUP Co.

58-2, Changhyun2-Ri, Hwado-Up, Namyangju-City, Kyunggi-Do, KOREA

Tel: 82-31-594-6500 Fax: 82-31-594-3764

www.esfor.com