



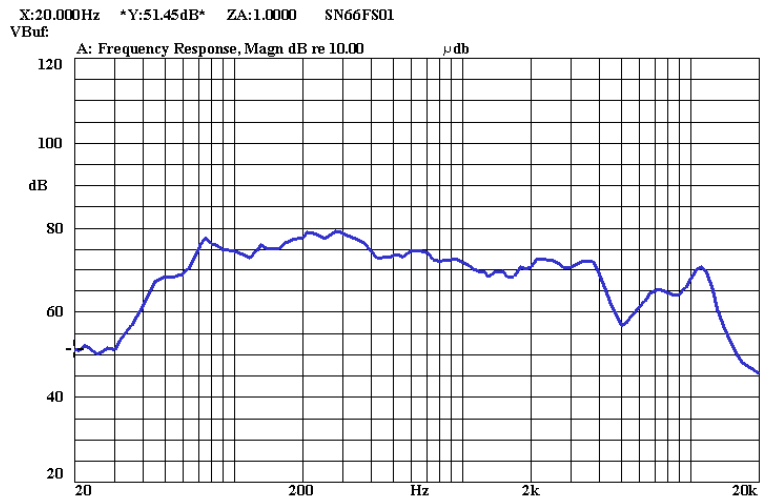
- *66mm square frame structure.
- *Output power 25 watt full range.
- *Excellent performing sound excursion.
- *Useful for subwoofer on miniature audio systems.

66mm Mini Loudspeaker

SN66FS01

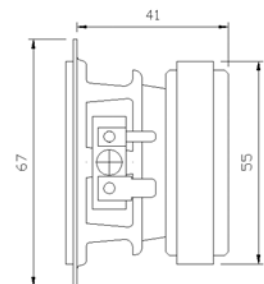
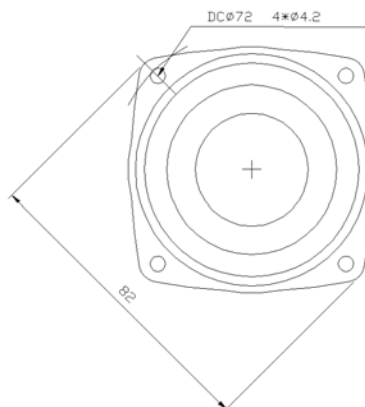


Nominal Diameter	66	mm
Nominal Impedance	4	ohms
Sensitivity(1W/1m)	78	dB
Power Capacity(RMS)	25	W
Power Capacity(Peak)	50	W
Frequency Range(-10dB)	See curve	Hz
Voice Coil Diameter	20	mm
Voice Coil Number of layer	4	
Voice Coil Former Material	AL	
Voice Coil Wire Composition	PESVW	
Magnetic Material	FERRITE	
Cone Material	KRAFT PULP	
Surround Material	Rubber	
Net Weight	284	g



Mode: SSR

Resonant Frequency(Fo)	95	Hz
Voice Coil DC Resistance(Re)	3.1	ohms
Voice Coil Inductance(Le)	0.71	mH
Total Q(Qts)	0.78	
Mechanical Q(Qms)	4.72	
Electrical Q(Qes)	0.93	
Equivalent Volume of Air(Vas)	0.56	Liters
Radiating Piston Area(Sd)	20	Cm ²
Xmax	2	mm
Flux Density x Length(BL)	2.32	Tesla-meter
Compliance(Cms)	964	um/N
Total Mass(Mms)	2.81	g
Closed Box Volume	0.44	Liters
Bass Reflex Box Volume	0.84	Liters
Port Dia/Length	10/22	mm



S4 DESIGN GROUP Co.

58-2, Changhyun2-Ri, Hwado-Up, Namyangju-City, Kyunggi-Do, KOREA

Tel: 82-31-594-6500 Fax: 82-31-594-3764

www.esfor.com